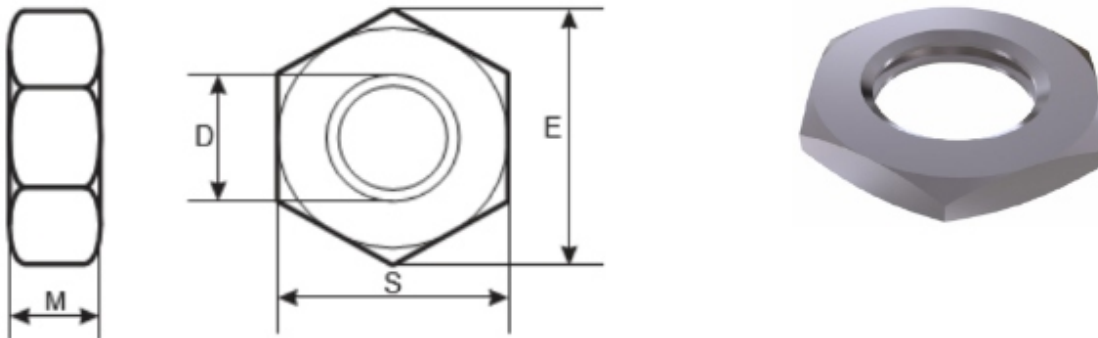


HEX LOCK NUT



DIN 936

MVD PART NO DESIGNATION

HEX LOCK NUT

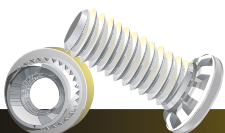
MV 936 MX LX S/SS XX
 ↓ ↓ ↓ ↓ ↓
 DIN NO THREAD LENGTH MATERIAL PLATING

D	S	E	M
M8	13	14.38	5
M10	17	18.90	6
M12	19	21.10	7
M14	22	24.49	8
M16	24	26.75	8
M18	27	29.56	9
M20	30	33.53	9
M24	36	39.98	10
M27	40	45.20	12
M30	46	51.28	12
M33	50	55.37	14
M36	55	61.31	14
M39	60	66.44	16
M42	65	72.61	16
M48	75	83.91	18

SPECIFICATIONS & DETAILS

MVD PART CODE	MV936MXXX	MVD DESCRIPTION	HEX LOCK NUT SS304 MXX
DRAWN BY	ABHISHEK	APPROVED BY	MAGESH
DRAWING REV. NO	00	MATERIAL	STAINLESS STEEL 304
DATE		FINISH	SELF FINISH

ALL DIMENSIONS ARE IN MM, UNLESS SPECIFIED



#308, Jigani-Bommasandra Link Road, Jigani, Anekal Taluk, Bengaluru - 560 105, INDIA.