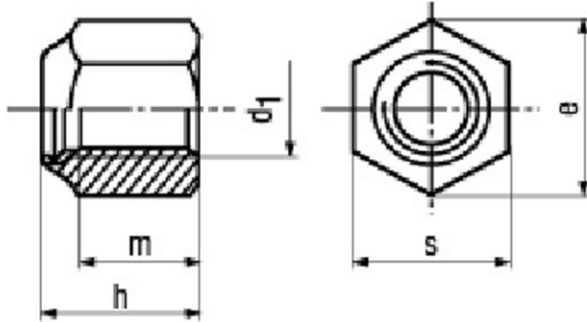


HEX NYLOCK NUT



DIN 982 / ISO 7040
HEX NYLOCK NUT

MVD PART NO DESIGNATION

MV 982 MX S / SS XX
 ↓ ↓ ↓ ↓
 DIN NO THREAD SIZE Material Code Plating Code

d1	M3	M4	M5	M6	M8	M10	M12	M14	M16	M20	M24
h	4.5	6.0	6.3	8	9.5	11.5	14	16	18	22	28
e min.	6.0	7.7	8.79	11.05	14.38	18.9	21.1	24.49	26.75	32.95	39.55
s	5.5	7.0	8	10	13	17	19	22	24	30	36
m	2.2	2.9	4.4	4.9	6.44	8.04	10.37	12.1	14.1	16.9	20.2

Fastening Everything

SPECIFICATIONS & DETAILS			
MVD PART CODE	MV982XXX	MVD DESCRIPTION	HEX NYLOCK NUT STL MXX
DRAWN BY	ABHISHEK	APPROVED BY	MAGESH
DRAWING REV. NO	00	MATERIAL	CARBON STEEL
DATE		FINISH	TRIVALENT BLUE

ALL DIMENSIONS ARE IN MM, UNLESS SPECIFIED

