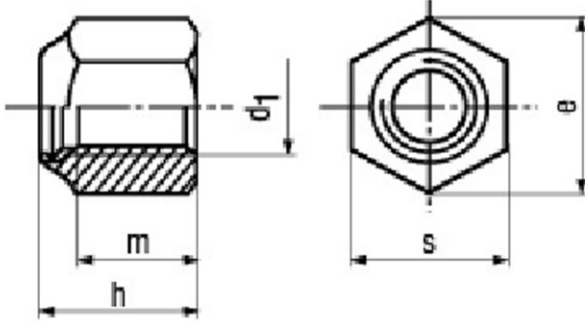


## HEX NYLOCK NUT



DIN 982 / ISO 7040  
HEX NYLOCK NUT

### MVD PART NO DESIGNATION

MV    982    MX    S / SS    XX  
          ↓       ↓       ↓       ↓  
          DIN NO    THREAD SIZE    Material Code    Plating Code

d1	M3	M4	M5	M6	M8	M10	M12	M14	M16	M20	M24
h	4.5	6.0	6.3	8	9.5	11.5	14	16	18	22	28
e min.	6.0	7.7	8.79	11.05	14.38	18.9	21.1	24.49	26.75	32.95	39.55
s	5.5	7.0	8	10	13	17	19	22	24	30	36
m	2.2	2.9	4.4	4.9	6.44	8.04	10.37	12.1	14.1	16.9	20.2

*Fastening Everything*

SPECIFICATIONS & DETAILS			
MVD PART CODE	MV982XXX	MVD DESCRIPTION	HEX NYLOCK NUT SS316 MXX
DRAWN BY	ABHISHEK	APPROVED BY	MAGESH
DRAWING REV. NO	00	MATERIAL	STAINLESS STEEL
DATE		FINISH	SELF FINISH

ALL DIMENSIONS ARE IN MM, UNLESS SPECIFIED

