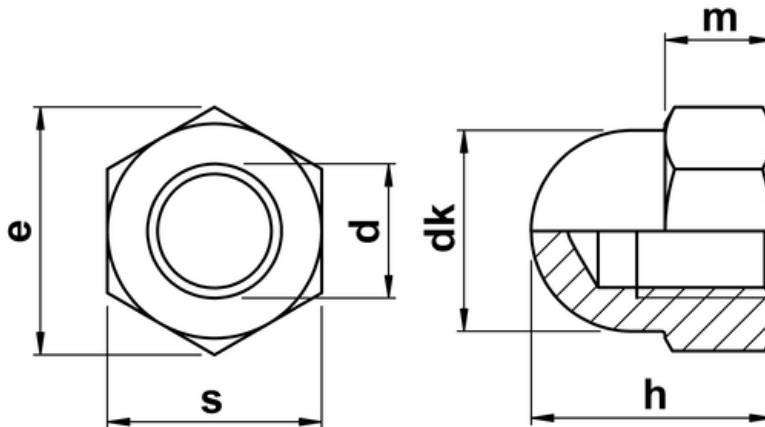


## DOME NUT



**DIN 1587  
DOME NUT**

### MVD PART NO DESIGNATION

MV    1587    MX    S / SS    XX  
 ↓       ↓       ↓       ↓       ↓  
 DIN NO    THREAD SIZE    Material Code    Plating Code

| d  | M3   | M4   | M5   | M6    | M8    | M10   | M12   | M14   | M16   | M18   | M20   | M22   | M24   | M27   | M30   |
|----|------|------|------|-------|-------|-------|-------|-------|-------|-------|-------|-------|-------|-------|-------|
| m  | 2.4  | 3.2  | 4.0  | 5.0   | 6.5   | 8.0   | 10.0  | 11.0  | 13.0  | 15.0  | 16.0  | 18.0  | 19.0  | 20.0  | 24.0  |
| h  | 7    | 8    | 10   | 12    | 15    | 18    | 22    | 25    | 28    | 32    | 34    | 39    | 42    | 47    | 52    |
| s  | 5.5  | 7.0  | 8.0  | 10.0  | 13.0  | 17.0  | 19.0  | 22.0  | 24.0  | 27.0  | 30.0  | 34.0  | 36.0  | 41.0  | 46.0  |
| e  | 6.01 | 7.66 | 8.79 | 11.05 | 14.38 | 18.90 | 21.10 | 24.49 | 26.75 | 30.14 | 33.53 | 37.72 | 39.98 | 47.30 | 52.00 |
| dk | 5.5  | 6.5  | 7.5  | 9.5   | 12.5  | 16.0  | 18.0  | 21.0  | 23.0  | 26.0  | 28.0  | 33.0  | 34.0  | 40.0  | 42.0  |

### SPECIFICATIONS & DETAILS

|                 |             |                 |                     |
|-----------------|-------------|-----------------|---------------------|
| MVD PART CODE   | MV1587MXXXX | MVD DESCRIPTION | DOME NUT SS316 MXXX |
| DRAWN BY        | ABHISHEK    | APPROVED BY     | MAGESH              |
| DRAWING REV. NO | 00          | MATERIAL        | STAINLESS STEEL     |
| DATE            |             | FINISH          | SELF FINISH         |

ALL DIMENSIONS ARE IN MM, UNLESS SPECIFIED

