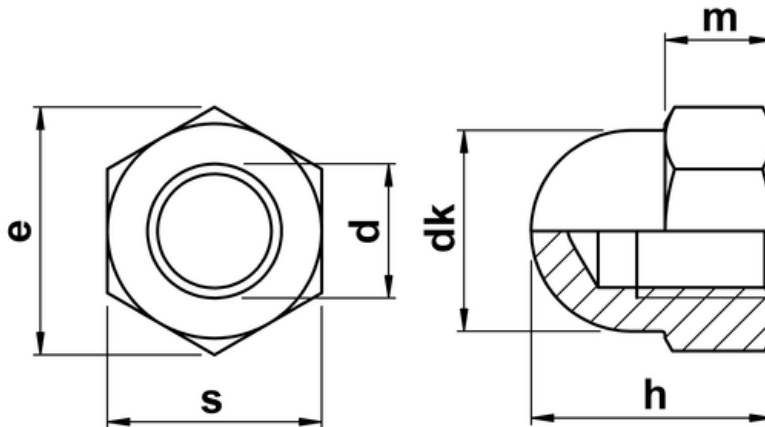


DOME NUT



**DIN 1587
DOME NUT**

MVD PART NO DESIGNATION

MV 1587 MX S / SS XX
 ↓ ↓ ↓ ↓ ↓
 DIN NO THREAD SIZE Material Code Plating Code

d	M3	M4	M5	M6	M8	M10	M12	M14	M16	M18	M20	M22	M24	M27	M30
m	2.4	3.2	4.0	5.0	6.5	8.0	10.0	11.0	13.0	15.0	16.0	18.0	19.0	20.0	24.0
h	7	8	10	12	15	18	22	25	28	32	34	39	42	47	52
s	5.5	7.0	8.0	10.0	13.0	17.0	19.0	22.0	24.0	27.0	30.0	34.0	36.0	41.0	46.0
e	6.01	7.66	8.79	11.05	14.38	18.90	21.10	24.49	26.75	30.14	33.53	37.72	39.98	47.30	52.00
dk	5.5	6.5	7.5	9.5	12.5	16.0	18.0	21.0	23.0	26.0	28.0	33.0	34.0	40.0	42.0

SPECIFICATIONS & DETAILS

MVD PART CODE	MV1587MXXXX	MVD DESCRIPTION	DOME NUT SS304 MXXX
DRAWN BY	ABHISHEK	APPROVED BY	MAGESH
DRAWING REV. NO	00	MATERIAL	STAINLESS STEEL
DATE		FINISH	SELF FINISH

ALL DIMENSIONS ARE IN MM, UNLESS SPECIFIED

