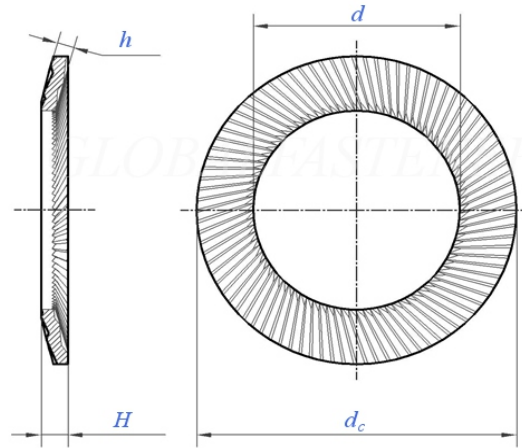


## DOUBLE SIDE TEETH WASHER



**DIN 9250**

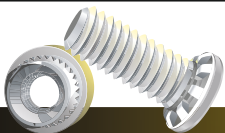
### S LIGHT

SIZE	D Outer	d Inner	H max	H min	Weight Gram/pc
M1.5	3.4	1.7	0.35	0.6	0.018
M2	4	2.2	0.35	0.6	0.021
M2.5	4.8	2.7	0.45	0.9	0.039
M3	5.5	3.2	0.45	0.9	0.049
M3.5	6	3.7	0.45	0.9	0.055
M4	7	4.3	0.5	1	0.085
M5	9	5.3	0.6	1.1	0.167
M6	10	6.4	0.7	1.2	0.2
M7	12	7.4	0.7	1.3	0.355
M8	13	8.4	0.8	1.4	0.392
M10	16	10.5	1	1.6	0.750
M12	18	13	1.1	1.7	0.879
M14	22	15	1.2	2	1.641
M16	24	17	1.3	2.1	1.984
M18	27	19	1.5	2.3	2.97
M20	30	21	1.5	2.5	3.742
M22	33	23	1.5	2.7	4.507
M24	36	25.6	1.8	2.9	5.91
M27	39	28.6	2	3.1	7.369
M30	45	31.6	2	3.6	10.78
M36	54	38	2.5	4.2	21.280
<b>VS HEAVY</b>					
M5	9	5.3	1	1.3	0.273
M6	10	6.4	1	1.4	0.3
M8	13	8.4	1.2	1.7	0.615
M10	16	10.5	1.5	2	0.167
M12	18	13	1.5	2.1	1.223
M14	22	15	1.5	2.2	2.089
M16	24	17	2	2.6	3.142
M18	27	19	2	2.7	4.041
M20	21	30	2	2.8	5.62
M22	33	23	2	3	6.117
M24	36	25.6	2.5	3.4	8.865
M27	39	28.6	2.5	3.5	9.731
M30	31.6	45	2.5	3.6	15.73

### SPECIFICATIONS & DETAILS

MVD PART CODE	MV9250MXXXX	MVD DESCRIPTION	RIBBED CONICAL WASHER STL MXX
DRAWN BY	ABHISHEK	APPROVED BY	MAGESH
DRAWING REV. NO	00	MATERIAL	AS PER REQUIREMENT
DATE		FINISH	AS PER REQUIREMENT

ALL DIMENSIONS ARE IN MM, UNLESS SPECIFIED



#308, Jigani-Bommasandra Link Road, Jigani, Anekal Taluk, Bengaluru - 560 105, INDIA.