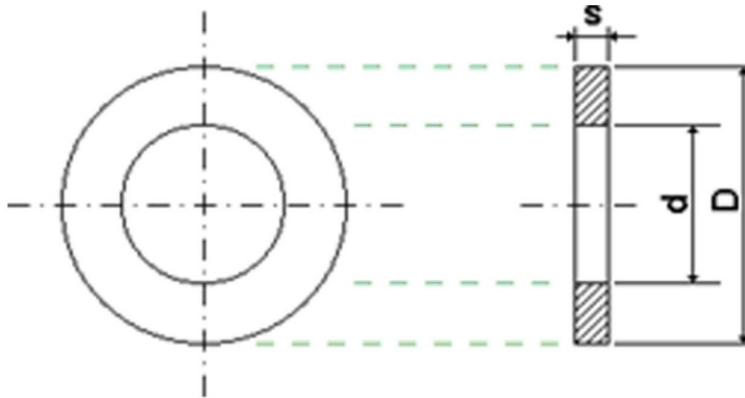


PLAIN FLAT WASHER



Nominal washer size	Nominal thread diam	Inside diameter		Outside diameter		Thickness s		
		Nom.(Min)	Max	Nom.(Max)	Min	Nomin.	Max	Min
1.7	1.6	1.7	1.84	4	3.7	0.3	0.35	0.25
2.2	2	2.2	2.34	5	4.7	0.3	0.35	0.25
2.5	2.3	2.5	2.64	6	5.7	0.5	0.55	0.45
2.7	2.5	2.7	2.84	6	5.7	0.5	0.55	0.45
3.2	3	3.2	3.38	7	6.64	0.5	0.55	0.45
3.7	3.5	3.7	3.88	8	7.64	0.5	0.55	0.45
4.3	4	4.3	4.48	9	8.64	0.8	0.9	0.7
5.3	5	5.3	5.48	10	9.64	1	1.1	0.9
6.4	6	6.4	6.62	12	11.57	1.6	1.8	1.4
7.4	7	7.4	7.62	14	13.57	1.6	1.8	1.4
8.4	8	8.4	8.62	16	15.57	1.6	1.8	1.4
10.5	10	10.5	10.77	20	19.48	2	2.2	1.8
13	12	13	13.27	24	23.48	2.5	2.7	2.3
15	14	15	15.27	28	27.48	2.5	2.7	2.3
17	16	17	17.27	30	29.48	3	3.3	2.7
19	18	19	19.33	34	33.38	3	3.3	2.7
21	20	21	21.33	37	36.38	3	3.3	2.7
23	22	23	23.33	39	38.38	3	3.3	2.7
25	24	25	25.33	44	43.38	4	4.3	3.7
28	27	28	28.33	50	49.38	4	4.3	3.7
31	30	31	31.39	56	55.26	4	4.3	3.7
34	33	34	34.62	60	58.8	5	5.6	4.4
37	36	37	37.62	66	64.8	5	5.6	4.4
40	39	40	40.62	72	70.8	6	6.6	5.4
43	42	43	43.62	78	76.8	7	8	6
46	45	46	46.62	85	83.6	7	8	6
50	48	50	50.62	92	90.6	8	9	7
52	50	52	52.74	92	90.6	8	9	7
54	52	54	54.74	98	96.6	8	9	7

SPECIFICATIONS & DETAILS

MVD PART CODE	MVA125MXXX	MVD DESCRIPTION	FLAT WASHER STL MXXXX
DRAWN BY	ABHISHEK	APPROVED BY	MAGESH
DRAWING REV. NO	00	MATERIAL	CARBON STEEL
DATE		FINISH	ZINC PLATED

ALL DIMENSIONS ARE IN MM, UNLESS SPECIFIED

