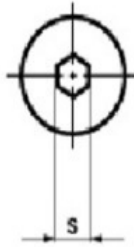
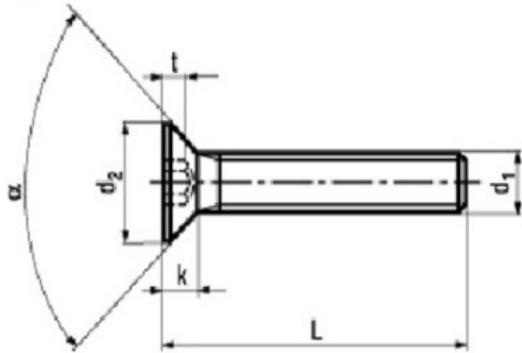


ALLEN CSK SCEW FULL THREAD

DIN 7991



MVD PART NO DESIGNATION

DIN 7991
ALLEN CSK SCREWS FULL THREADED

MV 7991 MX LX S / SS XX
 ↓ ↓ ↓ ↓ ↓ ↓
 DIN NO THREAD LENGTH Material Code Plating Code

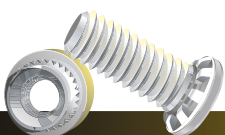
d ₁	M3	M4	M5	M6	M8	M10	M12	(M14)	M16	M20	M24
d2 max.	6	8	10	12	16	20	24	27	30	36	39
k max.	1.7	2.3	2.8	3.3	4.4	5.5	6.5	7	7.5	8.5	14
s	2	2.5	3	4	5	6	8	10	10	12	14
t	1.2	1.8	2.3	2.5	3.5	4.4	4.6	4.8	5.3	5.9	10.3
α	90°	90°	90°	90°	90°	90°	90°	90°	90°	90°	60°
Length	As Per Requirement										

Fastening Everything

SPECIFICATIONS & DETAILS

MVD PART CODE	MV7991MXXX	MVD DESCRIPTION	ALLEN CSK STL MXXXX
DRAWN BY	ABHISHEK M T	APPROVED BY	MAGESH
DRAWING REV. NO	00	MATERIAL	STEEL 10.9G
DATE		FINISH	ZINC PLATE FINISH

ALL DIMENSIONS ARE IN MM, UNLESS SPECIFIED



#308, Jigani-Bommasandra Link Road, Jigani, Anekal Taluk, Bengaluru - 560 105, INDIA.