

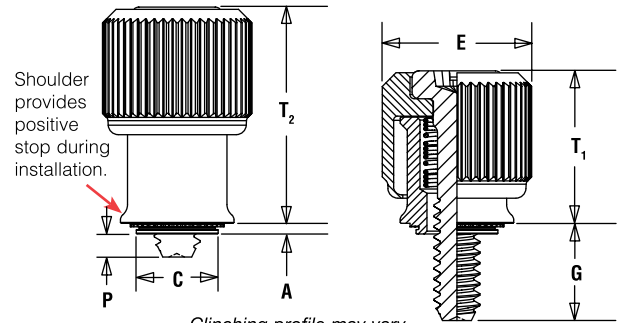
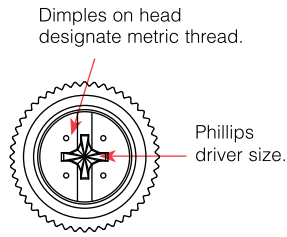
PF11 CAPTIVE PANEL SCREWS



Type PF11
Knurled Cap



Type PF12
Smooth Cap



Float .010"/0.25mm minimum, in all directions from center, .020"/0.5mm total.

Threads: External, ASME B1.1, 2A / ASME B1.13M, 6g	
Material: Knob: Aluminum Retainer: Hardened Carbon Steel Screw (Type PF11/PF12): 400 Series Stainless Steel Screw (Type PF11M/PF12M): Hardened Carbon Steel (1) Spring: 300 Series Stainless Steel	
Finish: Knob: Natural Finish Retainer: Bright nickel over copper flash per ASTM B689 Screw (Type PF11/PF12): Passivated and/or tested per ASTM A380 Screw (Type PF11M/PF12M): Zinc plated, 5µm, colorless (3) Spring: Natural Finish	Optional Finish (BL): Knob: Black anodize (2) Screw: Black nitride, AMS2753, Section 3 (2)
For use in sheet hardness: HRB 80 or less (Hardness Rockwell "B" Scale) / HB 150 or less (Hardness Brinell)	

All dimensions are in inches.

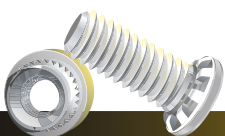
UNIFIED	Thread Size	Type		Thread Code	Screw Length Code	A Max.	Min. Sheet Thickness	Hole Size In Sheet + .003 -.000	C Max.	E ± .010	G ± .025	P ± .025	T ₁ Nom.	T ₂ Nom.	Driver Size Edge	Min. Dist. Hole Φ To		
		Knurled Cap	Smooth Cap															
.112-40 (#4-40)	PF11 PF11M	PF12 PF12M	440	0	.036	.036	.219	.218	.417		.170	.000	.310	.450	#1	.28		
				1													.230	.060
				2														
.138-32 (#6-32)	PF11 PF11M	PF12 PF12M	632	0	.036	.036	.250	.249	.450		.230	.000	.450	.640	#2	.29		
				1													.290	.060
				2														
.164-32 (#8-32)	PF11 PF11M	PF12 PF12M	832	0	.036	.036	.312	.311	.514		.230	.000	.450	.640	#2	.33		
				1													.290	.060
				2														
.190-32 (#10-32)	PF11 PF11M	PF12 PF12M	032	0	.036	.036	.312	.311	.514		.230	.000	.450	.640	#2	.33		
				1													.290	.060
				2														
.250-20 (1/4-20)	PF11 PF11M	PF12 PF12M	0420	0	.036	.036	.375	.374	.575		.290	.000	.530	.790	#3	.46		
				1													.350	.060
				2														

All dimensions are in millimeters.

METRIC	Thread Size x Pitch	Type		Thread Code	Screw Length Code	A Max.	Min. Sheet Thickness	Hole Size In Sheet + 0.08	C Max.	E ± 0.25	G ± 0.64	P ± 0.64	T ₁ Nom.	T ₂ Nom.	Driver Size Edge	MinDist. Hole Φ To Edge		
		Knurled Cap	Smooth Cap															
M3 x 0.5	PF11 PF11M	PF12 PF12M	M3	0	0.92	0.92	5.56	5.54	10.59		4.32	0	7.87	11.43	#1	7.11		
				1													5.84	1.52
				2														
M3.5 x 0.6	PF11 PF11M	PF12 PF12M	M3.5	0	0.92	0.92	6.35	6.33	11.43		5.84	0	11.43	16.26	#2	7.37		
				1													7.37	1.52
				2														
M4 x 0.7	PF11 PF11M	PF12 PF12M	M4	0	0.92	0.92	7.92	7.9	13.06		5.84	0	11.43	16.26	#2	8.38		
				1													7.37	1.52
				2														
M5 x 0.8	PF11 PF11M	PF12 PF12M	M5	0	0.92	0.92	7.92	7.9	13.06		5.84	0	11.43	16.26	#2	8.38		
				1													7.37	1.52
				2														
M6 x 1	PF11 PF11M	PF12 PF12M	M6	0	0.92	0.92	9.53	9.5	14.61		7.37	0	13.46	20.07	#3	11.68		
				1													8.89	1.52
				2														

SPECIFICATIONS & DETAILS

MVD PART CODE	MVPF11MXX	MVD DESCRIPTION	PANEL FASTENERS PF11-MXX
DRAWN BY	ABHISHEK	APPROVED BY	MAGESH
DRAWING REV. NO	00	MATERIAL	AS PER REQUIREMENT
DATE		FINISH	AS PER REQUIREMENT



#308, Jigani-Bommasandra Link Road, Jigani, Anekal Taluk, Bengaluru - 560 105, INDIA.