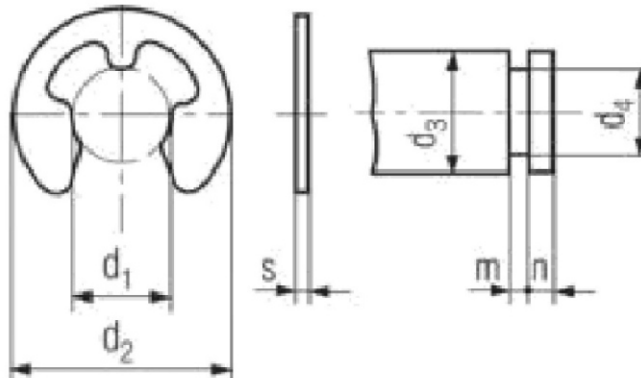


DIN 6799 - E-TYPE CIRCLIP



d1	d2 maX.	S	Tol.	d3		d4	m	Tot.	n min.
				from	to	Tol. h11			
0.8	2.25	0.2	0.1	1	1.4	0.8	0.24	0.04	0.4
1.2	3.25	0.3		1.4	2	1.2	0.34	0	0.6
1.5	4.25	0.4		2	2.5	1.5	0.44		0.8
1.9	4.8	0.5		2.5	3	1.9	0.54	0.05	1
2.3	6.3	0.6		3	4	2.3	0.64	0	1
3.2	7.3	0.6		4	5	3.2	0.64		1
4	9.3	0.7		5	7	4	0.74		1.2
5	11.3	0.7		6	8	5	0.74		1.2
6	12.3	0.7		7	9	6	0.74		1.2
7	14.3	0.9		8	11	7	0.94		1.5
8	16.3	1	0.15	9	12	8	1.05	0.08	1.8
9	18.8	1.1		10	14	9	1.15	0	2
10	20.4	1.2		11	15	10	1.25		2
12	23.4	1.3		13	18	12	1.35		2.5
15	29.4	1.5		16	24	15	1.55		3
19	37.6	1.75		20	31	19	1.8		3.5
24	44.6	2		25	38	24	2.05		4
30	52.6	2.5		32	42	30	2.55		4.5

SPECIFICATIONS & DETAILS

MVD PART CODE	MV6799MXXXX	MVD DESCRIPTION	CIRCLIP E TYPE XX
DRAWN BY	ABHISHEK	APPROVED BY	MAGESH
DRAWING REV. NO	00	MATERIAL	CARBON STEEL
DATE		FINISH	ZINC PLATED

ALL DIMENSIONS ARE IN MM, UNLESS SPECIFIED

