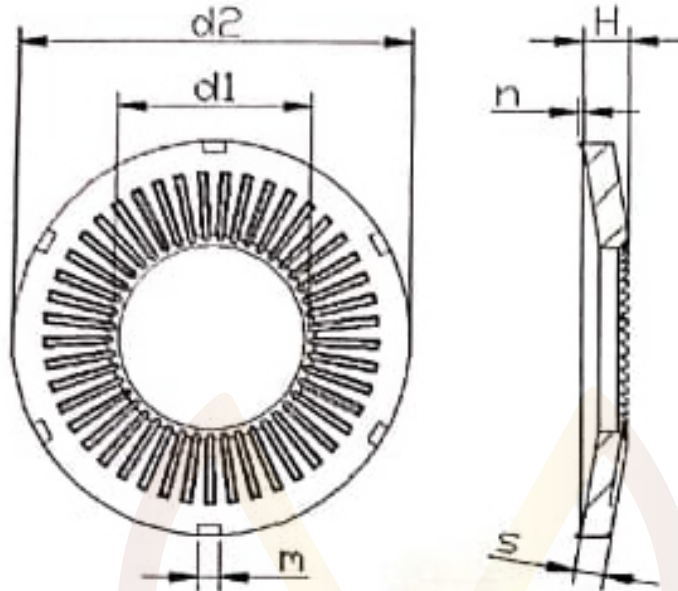


SN70093 - CONTACT WASHER



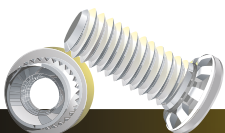
SPECIFICATIONS

Specs	d1		d2		h		m		n		s	
	Size	Tolerance	Size	Tolerance	Size	Tolerance	Size	Tolerance	Size	Tolerance	Size	Tolerance
3	3.1	+ 0.3	6.2	- 0.4	0.95	- 0.15	0.8	± 0.1	0.2	+ 0.2	0.6	± 0.05
3.5	3.6		7.2		1.1		1		0.2		0.7	
4	4.1		8.2		1.15		1.2		0.2		0.8	
5	5.4	+ 0.3	10.2	- 0.4	1.5	- 0.25	2	± 0.2	0.4	- 0.3	1	± 0.1
6	6.1		12.2		1.8		2		0.4		1.2	
8	8.2		16.2		2.4		2		0.4		1.4	
10	10.2	+ 0.4	20.25	- 0.5	2.6	- 0.45	2	± 0.2	0.4	- 0.1	1.6	± 0.1
12	12.4		24.25		2.6		2		0.4		1.6	
16	16.4		32.3		3.96		4.5		0.4		2.5	
20	20.5	+ 0.5	40.3	- 0.6	4.65		4.5		0.4	+ 0.4	3	

SPECIFICATIONS & DETAILS

MVD PART CODE	MVSN70093MXX	MVD DESCRIPTION	CONTACT WASHER TOOTHED SS304 MXXX
DRAWN BY	ABHISHEK	APPROVED BY	MAGESH
DRAWING REV. NO	00	MATERIAL	SS304
DATE		FINISH	NATURAL

ALL DIMENSIONS ARE IN MM, UNLESS SPECIFIED



#308, Jigani-Bommasandra Link Road, Jigani, Anekal Taluk, Bengaluru - 560 105, INDIA.